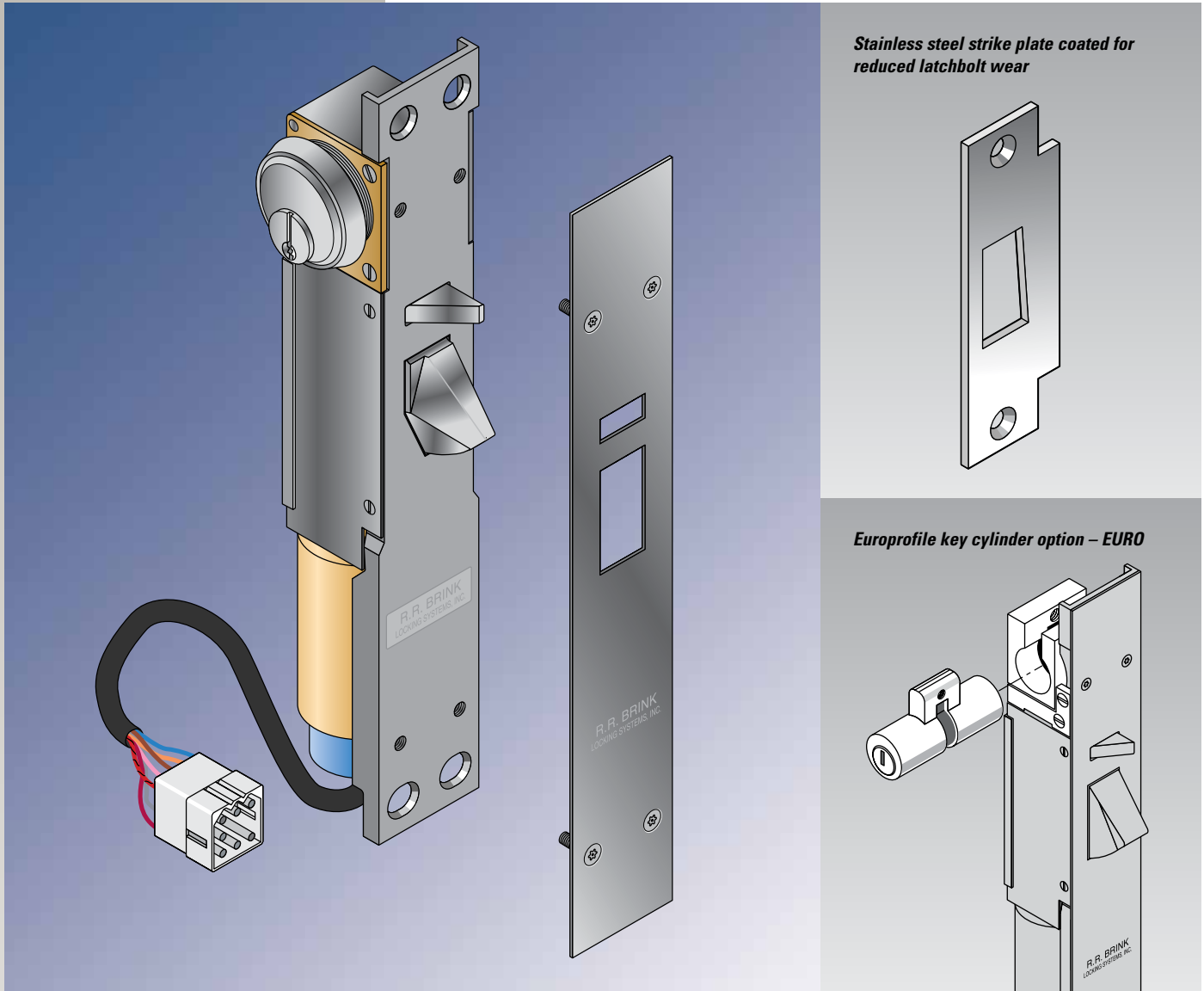


# 3020

## Electromechanical Automatic Deadlocking Latch

Electric 24VDC solenoid power and manual key unlocking. Designed to mount in a standard 2" deep hollow metal frame face.

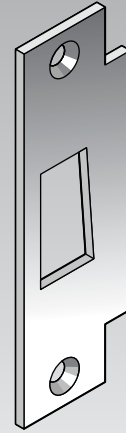


**R.R. BRINK LOCKING SYSTEMS, INC.**  
500 Earl Road • Shorewood, IL 60404  
Tel: 815-744-7000 • Fax: 815-744-7020  
www.rrbrink.com

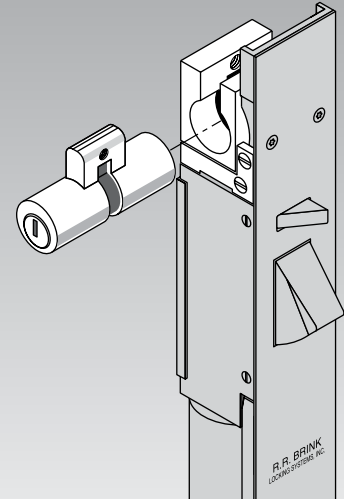
### Application

- The 3020 is ideal for access control in secure areas of commercial, institutional, governmental, and industrial buildings.
- Available in "Fail secure" (FSE) (i.e. power to unlock) or "Fail safe" (FS) (i.e. power to lock) modes.
- Commonly used in minimum/medium security correctional facilities, the 3020 series provides remotely controlled electric and manual key unlocking of detention area sleeping room and exit doors.
- The narrow depth of the 3020 allows mortise mounting in a standard (i.e. 2" trim) hollow metal door frame or an architectural metal tube (e.g. borrowed

*Stainless steel strike plate coated for reduced latchbolt wear*



*Europrofile key cylinder option - EURO*



- light frame mullion). The installation is architecturally unobtrusive and affords superior impact and tamper resistance.
- The 3020 is a higher security alternative to an electric strike for access control.
  - Impact tested to Security Grade 1 per ASTM F1450 and F1577.

*(Note: The 3020 is not recommended for use in high security correctional locking applications and/or where latch retraction against a lateral load (e.g. leaning or pulling on the door) is a priority requirement. See our narrow profile lock models 3520-300 and 3520-600 for greater latch retraction force.)*

# 3020

## Electromechanical Automatic Deadlocking Latch

Electric 24VDC solenoid power and manual key unlocking. Designed to mount in a standard 2" deep hollow metal frame face.

### Standard Features

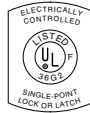
- Structural and locking parts are stainless steel.
- All other parts and fasteners are copper alloy or stainless steel.
- A full 3/4" throw cast stainless steel latch with two (2) saw resistant inserts.
- Maintained Switch Latch Holdback (**MSLH**) function (For other available functions, see catalog page "Function Guide for Motorized Locks", item 2 under "General Comments".)
- Lock status switch (**LSS**) trips when latch is in deadlocked condition. Used in a signal circuit to indicate lock status – unlocked or deadlocked – via control panel lights and/or alarm devices. The LSS is also used to control an electrical interlock which permits only one of a group of doors to be unlocked electrically at any time. Note: For positive, tamper resistant signaling of a closed and deadlocked door, a sensitive door position (**DPS**) switch must be wired in combination with the LSS. Our DPS Models 201030 or 201090 are recommended.
- Mechanical operation via customer supplied standard commercial key cylinder with "Yale" type cam. (Factory supplied key cylinder optional.) For stop (push) side frame keying see optional "Key Cylinder Extension" (**KCE**).
- Plug (i.e. quick disconnect) connectors are provided for ease in wiring and removal.
- 24VDC cylindrical type constant duty solenoid with double wound coil – "Fail secure" (**FSE**) pull type and "Fail Safe" (**FS**) push type.
- Exposed Fasteners – pinned "Torx" head
- Exposed Faceplate  
Satin Stainless Steel – (ANSI 630, US32D)

### Electrical Data

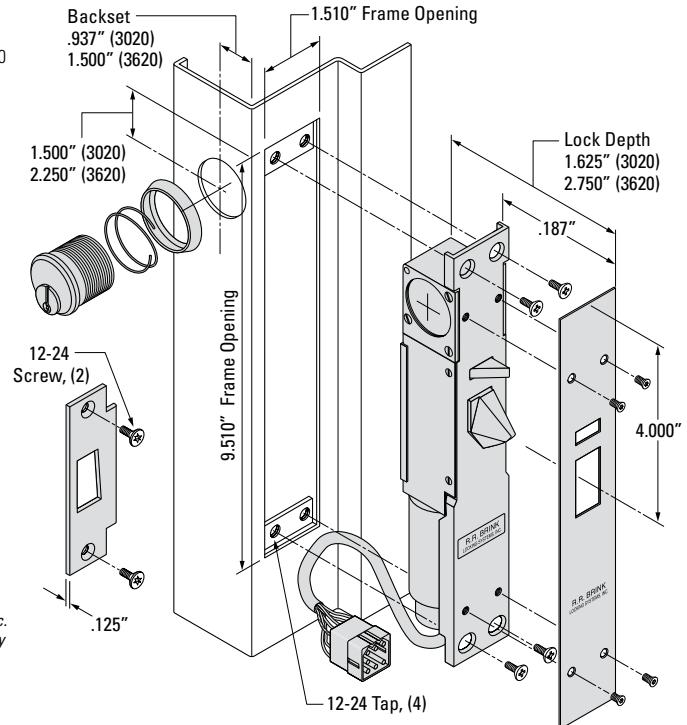
- Solenoid – Dual coil, continuous duty – 24VDC; 1.4 amp in-rush, 0.3 amp seated
- Lock Status Switch – 120/250VAC, 5 amp, SPDT (Form C)

U.S. patent #4237711  
Canadian patent #1110462  
Great Britain patent #2014230

Note: This illustration is for information only. Do not use for construction. Door and frame preparation drawings and wiring schematics are available from the factory.



Underwriters Laboratories, Inc. listing as a fire door accessory applies to fail-secure mode only. Listing is for a 3-hour "A"-label fire door.



### Optional Features

- **FKC** – Factory supplied high security key cylinder with a tapered, free-spinning, spring loaded collar – two change keys/cylinder
- **MOG** – Supplied with RRBLs proprietary 2" diameter 6-pin cylinder. Model designation is 3620. Note: With this option, the lock requires a 3" minimum frame face.
- **EURO** – Lock is adapted for key operation with a Europrofile cylinder – available with 25mm or 45mm backset.
- **KCE** – Stop (push) side key cylinder extension extends working length of a standard mortise key cylinder to adapt to jamb depths within a range of 4" to 9" (advise jamb depth dimension). Customer supplied cylinders must be factory fitted to each KCE.
- **Electrical Functions (with FSE mode)**  
**MCLH-M, MCLH-E, and MSLH/MCLH-E** – (see notes 2 and 3 on "Motor Lock Function Reference Guide" catalog sheet.)
- **MLH** – Mechanical latch holdback by key – latch remains retracted with key removed –



available with single side keying and FSE mode only – not available with EURO.

- **CKS** – Factory key cylinder modification and an internal limit switch produce a key switch feature which electrically actuates the lock by one way only rotation of the change level key. This feature can be rendered inoperative by switch from a remote control panel. Mechanical unlocking is by a master level key. This feature is indicated when it is desirable to restrict periods when key unlocking is possible, e.g. building access or prison inmates who carry a key to their cell.
- **MKUS** (Manual Key Unlock Switch) – An internal limit switch is provided to signal the occurrence of manual key unlocking. Available with one or two side keying. A special RRBLs cam is provided to replace the original with customer supplied key cylinders. Can be used in combination with the **CKS** feature (on one side only).
- **RC** – Rectifier with plug-in adapter permits 24VAC input

Consult with our technical service personnel regarding custom applications such as retrofits to existing lock installations and special mounting situations.

### Ordering Information – 3020 Solenoid Series

Model	Description	Key Cylinder Extension (KCE)
3022	3020 keyed one side	Required if key cylinder is mounted on stop (push) side of frame
3026	3020 keyed two sides	Required on stop (push) side of frame



**R.R. BRINK LOCKING SYSTEMS, INC.**  
500 Earl Road • Shorewood, IL 60404  
Tel: 815-744-7000 • Fax: 815-744-7020  
www.rrbrink.com

